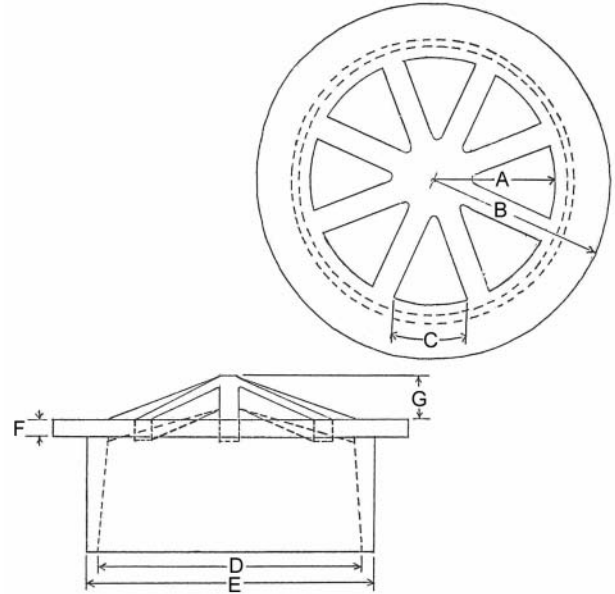


## Low Cone

Low cones are manufactured from heavy cast aluminum alloy. They will withstand light vehicular traffic. Available in 4" through 24" diameters.



Size	Weight	A	B	C	D	E	F	G	Opening Square In.	Water Cap. CFS
4	1 lb.	1 3/4" R	2 5/8" R	1 9/32"	3 11/32"	3 3/4"	3/8"	7/16"	5	.11
6	2.5 lb.	2 9/16" R	3 5/8" R	1 1/2"	5 7/16"	5 15/16"	3/8"	15/16"	10	.22
8	3 lb.	3 5/8" R	5" R	2 5/16"	7 3/16"	7 5/8"	3/8"	1"	36	.78
10	6.25 lb.	4 5/8" R	6 3/8" R	2 5/16"	9 1/8"	9 3/4"	1/2"	1 1/4"	42	.91
12	9 lb.	5 3/4" R	7 5/8" R	2 7/8"	11 1/8"	11 3/4"	5/8"	1 5/16"	78	1.69
15	14 lb.	7" R	8 13/16" R	3"	14 1/8"	14 3/8"	5/8"	1 1/8"	82	1.77
18	24 lb.	8 7/8" R	10 3/8" R	3"	17 1/8"	17 3/4"	5/8"	1 7/16"	116	2.51
21	31 lb.	9 7/8" R	12 7/16" R	3"	19 3/4"	20 1/2"	5/8"	1 1/2"	190	4.10
24	37 lb.	11 1/8" R	13 1/2" R	4 1/2"	22 1/2"	23 1/2"	5/8"	1 9/16"	263	5.68

\*CFS based on orifice coefficient of .67 with 4 inches of water over the inlet.