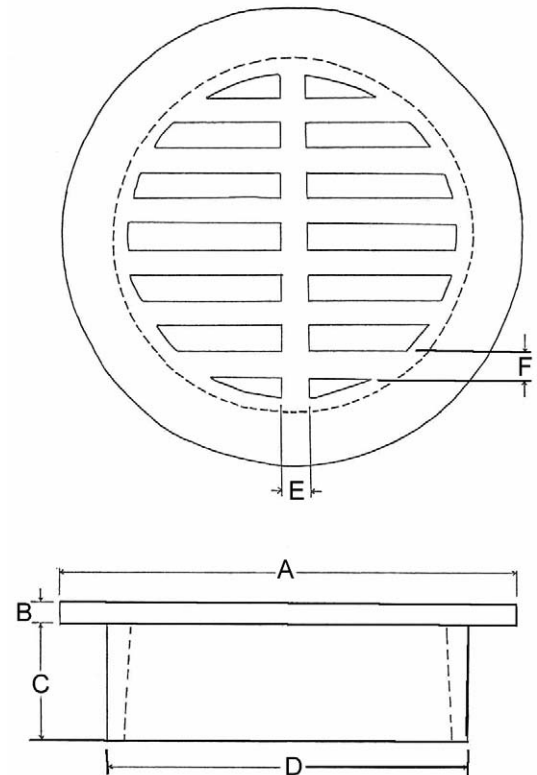


Flat Grate

Flat grates are manufactured from heavy duty cast aluminum. They offer the benefit of high volume water capacity and flush finish fit. They will withstand light vehicular traffic and are manufactured in 4" through 24" diameters.



Size	Weight	A	B	C	D	E	F	Opening Square In.	Water Cap. CFS
4	1 lb.	4 15/16"	3/8"	1 9/16"	3 13/32"	1/2"	1/2"	4	.09
6	2.5 lb.	7 3/8"	3/8"	2"	5 7/8"	1/2"	1/2"	9	.20
8	3 lb.	9 3/8"	3/8"	2"	7 1/2"	1/2"	1/2"	35	.70
10	6.25 lb.	12 3/8"	1/2"	2 5/32"	9 3/4"	3/4"	3/4"	40	.85
12	9 lb.	14 11/16"	5/8"	2 7/17"	11 9/16"	3/4"	3/4"	76	1.57
15	14 lb.	17 5/8"	5/8"	2 7/16"	14 3/8"	3/4"	3/4"	82	1.77
18	24 lb.	20 3/4"	5/8"	2 3/4"	17 3/4"	1"	1"	110	2.42
21	31 lb.	24 1/2"	5/8"	2 3/4"	20 1/2"	1"	1"	187	4.01
24	37 lb.	27"	5/8"	2 3/4"	23 1/2"	1"	1"	254	5.52

*CFS based on orifice coefficient of .67 with 4 inches of water over the inlet.