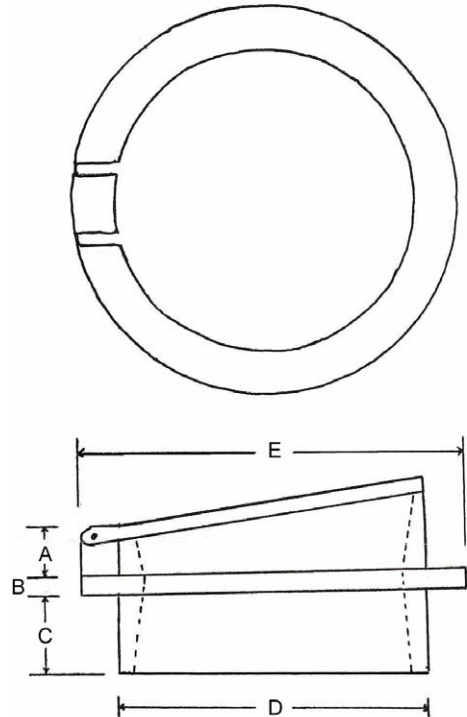


Backwater Flood Valve

Manufactured from cast aluminum. This valve provides the drainage system with protection from water that would backflow into the system. Valve has spigot end which inserts into the outlet pipe. Mounting bolts are included. The valves are available in 4" through 12" diameters.



SIZE	A	B	C	D	E	Water Cap. CFS	Weight
4"	7/8"	3/8"	1 9/16"	3 13/32"	4 15/16"	.27	1 lb.
6"	7/8"	3/8"	2"	5 7/8"	7 3/8"	.60	2.5 lb.
8"	7/8"	3/8"	2"	7 1/2"	9 3/8"	1.40	3 lb.
10"	15/16"	1/2"	2 1/2"	9 3/4"	12 3/8"	1.70	6.25 lb.
12"	1"	5/8"	2 7/16"	11 9/16"	14 11/16"	3.14	9.25 lb.

*CFS based on orifice coefficient of .67 with 4 inches of water over the inlet.